

Guide Rails for Single Slot, Standard Height Pin Headers

Left and Right Guide Rails with Thru-Hole Holddowns

Part Numbers:

Left Guide Rail 535664-1

Right Guide Rail 535664-2

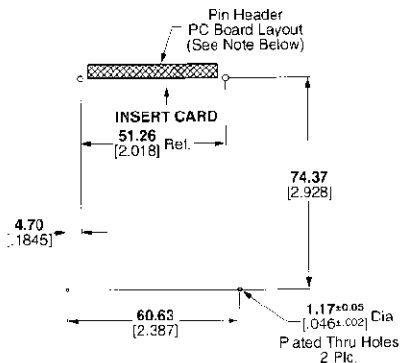
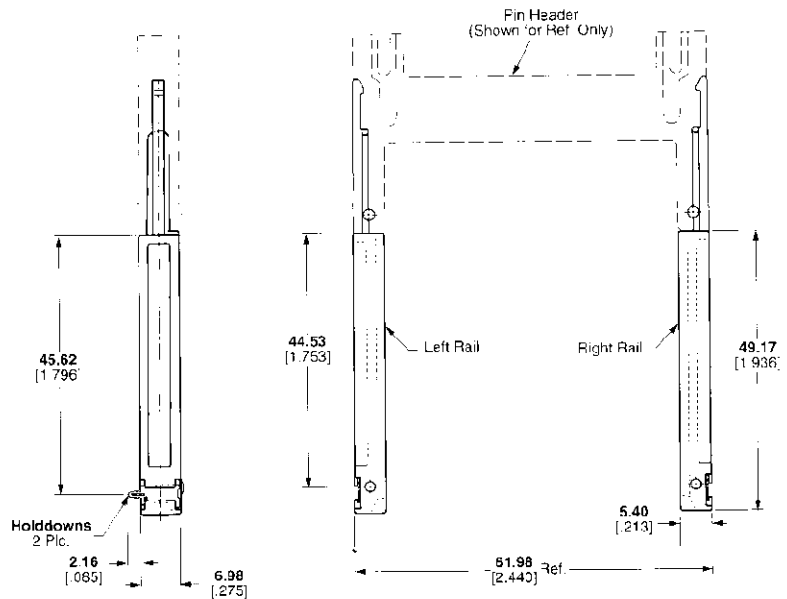
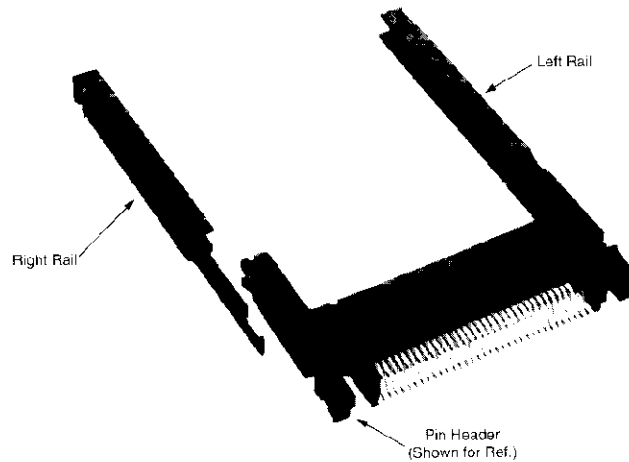
Material and Finish:

Rails — Liquid crystal polymer, black

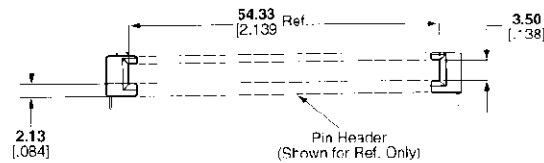
Holddowns — Phosphor bronze, tin plated

Related Product Data:

Pin Headers Used With Guide Rails — pages 17-19



Recommended PC Board Layout



Note: For recommended pin header PC board layout, refer to the specification page of the appropriate pin header; page 17, 18 or 19.